

Wandventilatoren Ex d Helicoidal ventilators Ex d

Technische informatie:

Ex markering: Ⓜ II 2 G Ex db IIC T3/T6 Gb
 Geschikt voor zone 1 en 2
 Omgevingstemperatuur: $-40^{\circ}\text{C} \leq T_a \leq 40^{\circ}\text{C}$
 Beschermingsgraad: IP55
 Spanning: 230 VAC / 3x400 VAC
 Kabelingang: 1 stuks 1/2" NPT
 Materiaal behuizing en rooster: staal met anti-corrosie epoxy coating
 Materiaal ventilatorblad: ABS

Conform de standaards: EN60079

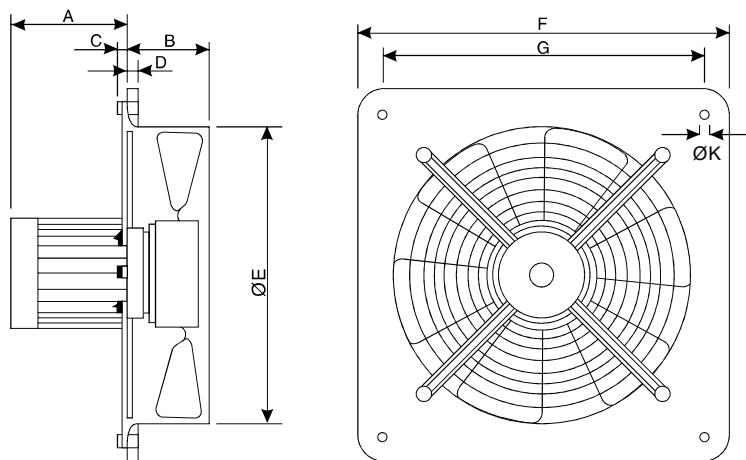
Technical data:

Ex mark: Ⓜ II 2 G Ex db IIC T3/T6 Gb
 Can be used in zone 1 and 2
 Ambient temperature: $-40^{\circ}\text{C} \leq T_a \leq 40^{\circ}\text{C}$
 Degree of protection: IP55
 Voltage: 230 VAC / 3x400 VAC
 Cable entry: 1 pcs. 1/2" NPT
 Material body and grille: steel with anti-corrosion epoxy coating
 Material fan: ABS

Meets the standards: EN60079

Afbeelding Illustration	T. klasse T. class	Spanning Voltage	Capaciteit m ³ /h Capacity m ³ /h	Vermogen Power	Type
	T3	230 VAC	900	120 Watt	HT3-EB-254MEX
	T3	230 VAC	1500	140 Watt	HT3-EB-304MEX
	T3	230 VAC	2250	160 Watt	HT3-EB-354MEX
	T3	230 VAC	2900	180 Watt	HT3-EB-404MEX
	T3	230 VAC	4500	210 Watt	HT3-EB-504MEX
	T6	3x400 VAC	900	100 Watt	HT6-EB-254TEX
	T6	3x400 VAC	1500	125 Watt	HT6-EB-304TEX
	T6	3x400 VAC	2250	150 Watt	HT6-EB-354TEX
	T6	3x400 VAC	2900	180 Watt	HT6-EB-404TEX
	T6	3x400 VAC	4500	230 Watt	HT6-EB-504TEX

Afmetingen Dimensions



Type	A	B	C	D	ØE	F	G	ØK	Gewicht Weight kg
HT3-EB-254MEX	205	70	9	8	260	340	290	7	10
HT3-EB-304MEX	205	70	9	10	312	390	340	9	10
HT3-EB-354MEX	205	85	10	12	365	460	410	9	11
HT3-EB-404MEX	205	85	10	12	415	510	460	9	12
HT3-EB-504MEX	205	90	10	15	515	630	580	11	14
HT6-EB-254TEX	205	70	9	8	260	340	290	7	9
HT6-EB-304TEX	205	70	9	10	312	390	340	9	9
HT6-EB-354TEX	205	85	10	12	365	460	410	9	10
HT6-EB-404TEX	205	85	10	12	415	510	460	9	11
HT6-EB-504TEX	205	90	10	15	515	630	580	11	13

Centrifugaalventilatoren Ex d Centrifugal ventilators Ex d

Technische informatie:

Ex markering: Ⓜ II 2 G Ex db IIC T3/T5/T6 Gb
 Geschikt voor zone 1 en 2
 Omgevingstemperatuur: $-40^{\circ}\text{C} \leq T_a \leq 40^{\circ}\text{C}$
 Beschermingsgraad: IP55
 Spanning: 230 VAC / 3x400 VAC
 Kabelingang: 1 stuks 1/2" NPT
 Materiaal behuizing: staal met anti-corrosie coating
 Materiaal ventilatorblad: gegalvaniseerd staal

Conform de standaards: EN60079

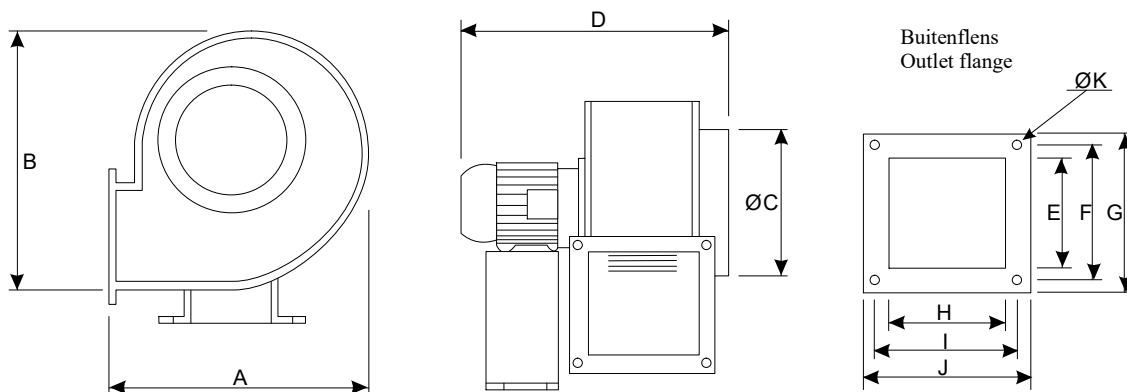
Technical data:

Ex mark: Ⓜ II 2 G Ex db IIC T3/T5/T6 Gb
 Can be used in zone 1 and 2
 Ambient temperature: $-40^{\circ}\text{C} \leq T_a \leq 40^{\circ}\text{C}$
 Degree of protection: IP55
 Voltage: 230 VAC / 3x400 VAC
 Cable entry: 1 pcs. 3/4" NPT
 Material body: steel with anti-corrosion epoxy coating
 Material fan: galvanized steel

Meets the standards: EN60079

Afbeelding Illustration	T. klasse T. class	Spanning Voltage	Capaciteit - m ³ /h Capacity m ³ /h	Vermogen Power	Type
	T3	230 VAC	500	200 Watt	HT3-CS-3104MEX
	T3	230 VAC	720	250 Watt	HT3-CS-3204MEX
	T6	3x400 VAC	500	200 Watt	HT6-CS-3104TEX
	T6	3x400 VAC	720	250 Watt	HT6-CS-3204TEX
	T6	3x400 VAC	1500	400 Watt	HT6-CS-3304TEX
	T6	3x400 VAC	1900	1000 Watt	HT6-CS-3404TEX
	T6	3x400 VAC	2900	1400 Watt	HT6-CS-3504TEX
	T5	3x400 VAC	4100	1900 Watt	HT6-CS-3604TEX
	T5	3x400 VAC	5600	2500 Watt	HT6-CS-3704TEX
	T5	3x400 VAC	9100	4500 Watt	HT6-CS-3804TEX

Afmetingen Dimensions



Type	A	B	ØC	D	E	F	G	H	I	J	ØK	Gewicht Weight kg
HT3-CS-3104MEX	249	247	180	371	88	114	135	88	114	135	8.2	13
HT3-CS-3204MEX	296	230	200	392	100	126	152	100	126	152	8.2	14
HT6-CS-3104TEX	249	247	180	371	88	114	135	88	114	135	8.2	13
HT6-CS-3204TEX	296	230	200	392	100	126	152	100	126	152	8.2	14
HT6-CS-3304TEX	335	371	250	446	134	165	191	134	165	191	8.2	21
HT6-CS-3404TEX	400	446	250	485	170	205	235	161	195	225	8.2	31
HT6-CS-3504TEX	470	517	315	520	191	225	255	191	225	255	8.2	37
HT6-CS-3604TEX	470	517	315	554	191	225	255	191	225	255	8.2	44
HT6-CS-3704TEX	480	571	355	650	224	275	305	223	254	284	10.2	67
HT6-CS-3804TEX	670	744	400	709	295	330	360	241	280	310	9.0	91